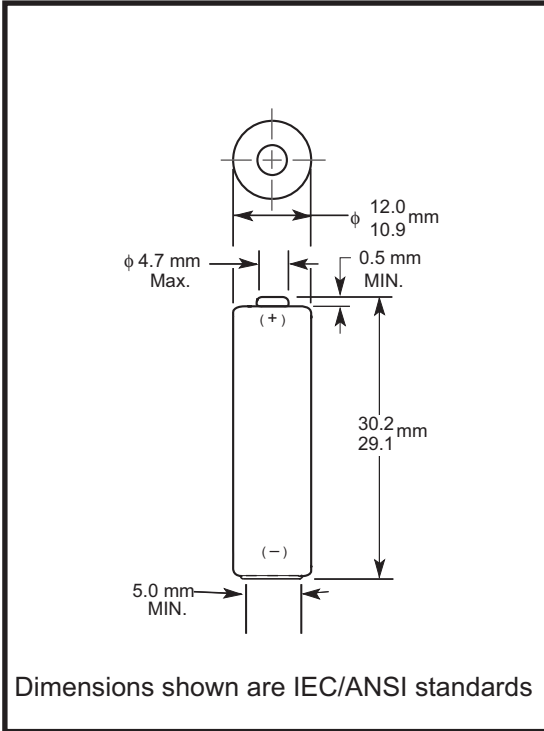


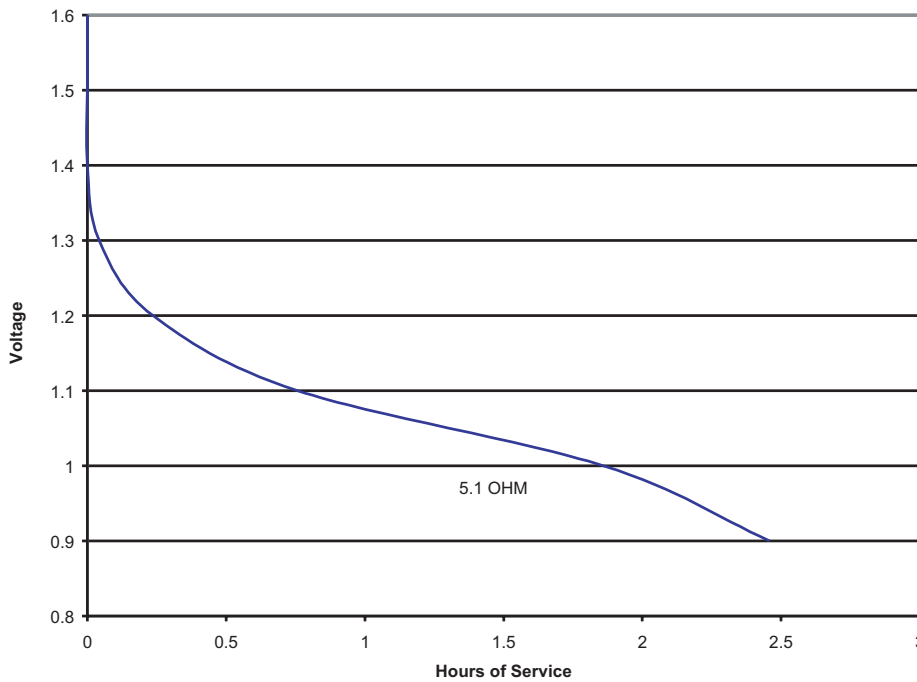
## Alkaline-Manganese Dioxide Battery

Size: MN 9100 (LR1)



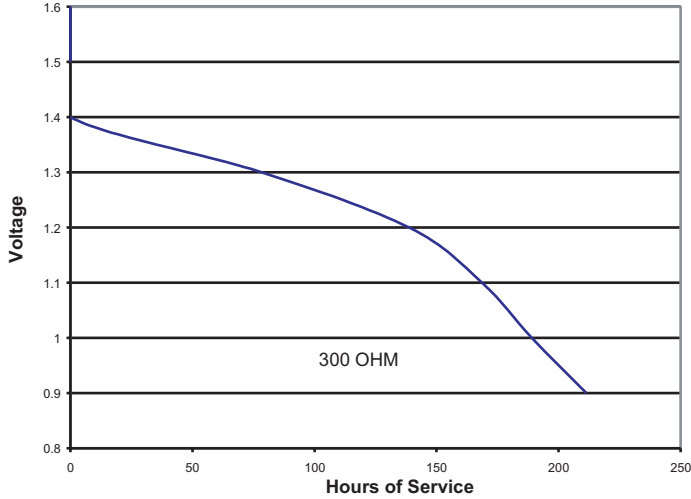
<b>Nominal Voltage:</b>	1.5 V
<b>Nominal Internal Impedance:</b>	420 m-ohm @ 1kHz
<b>Average Weight:</b>	9.0 gm (0.3 oz.)
<b>Volume:</b>	3.4 cm <sup>3</sup> (0.21 in. <sup>3</sup> )
<b>Terminals:</b>	Flat
<b>Operating Temperature Range:</b>	-20°C to 54°C (-4°F to 130°F)
<b>NEDA/ANSI:</b>	910A
<b>IEC:</b>	LR1

Typical Discharge Characteristics at 21°C (70°F)

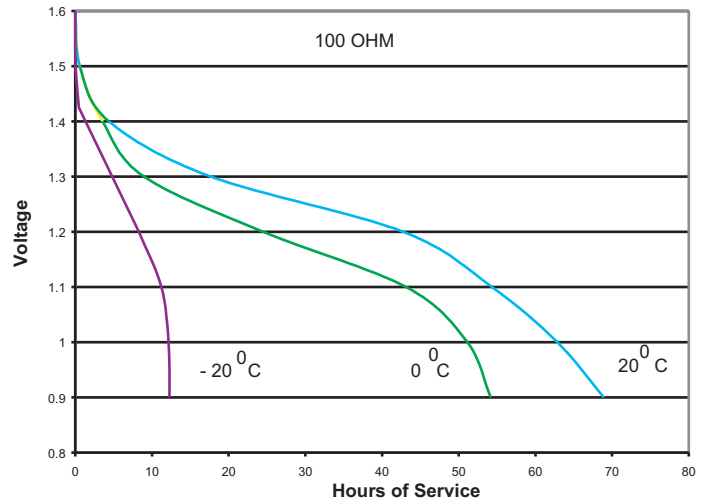


\* Delivered capacity is dependent on the applied load, operating temperature and cut-off voltage. Please refer to the charts and discharge data shown for examples of the energy / service life that the battery will provide for various load conditions.

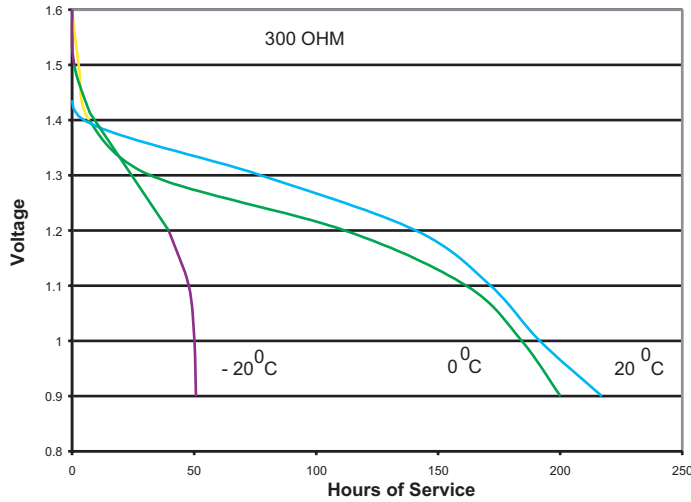
Typical Discharge Characteristics



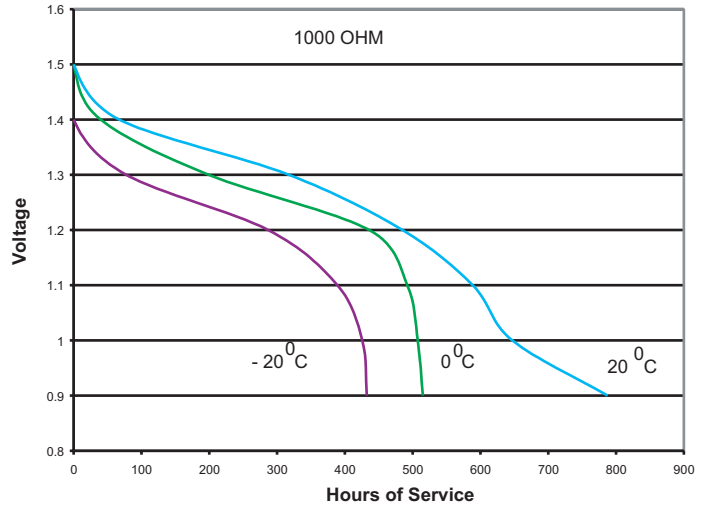
Typical Discharge Characteristics



Typical Discharge Characteristics



Typical Discharge Characteristics



# DURACELL®

BATTERIES

Berkshire Corporate Park  
Bethel, CT 06801 U.S.A.  
Telephone: Toll-free 1-800-544-5454  
Internet: [www.duracell.com](http://www.duracell.com)

\* Delivered capacity is dependent on the applied load, operating temperature and cut-off voltage. Please refer to the charts and discharge data shown for examples of the energy / service life that the battery will provide for various load conditions.